

ASSEMBLY INSTRUCTIONS



HELP LINE
01977 555007



Information

if in doubt contact the supplier



Please read these instructions thoroughly before commencing assembly.



Inspect all packages for damage and check that all components have been supplied



Assembly should be undertaken by at least two people



Caution

During Assembly



Wear appropriate clothing - protective gloves and footwear are recommended



Dispose of packaging materials responsibly



Make sure the floor is level



Allow adequate working space and be aware of others working around you



Take care when handling heavy items, particularly when lifting or stretching



Warning

Rules for safe use of shelving



Not suitable for use in damp or wet environments.



ENSURE THAT THE MAXIMUM LOAD CARRYING CAPACITIES ARE NOT EXCEEDED



Shelves must be loaded evenly, and load heavier items on the bottom shelves



Never climb or stand on the shelves.

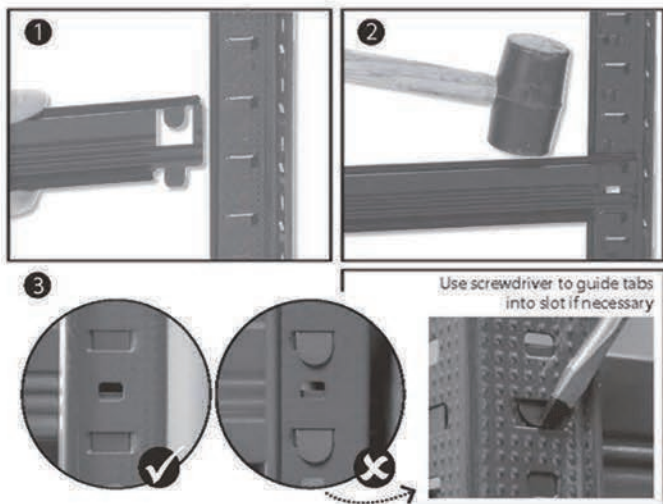
TOOLS REQUIRED



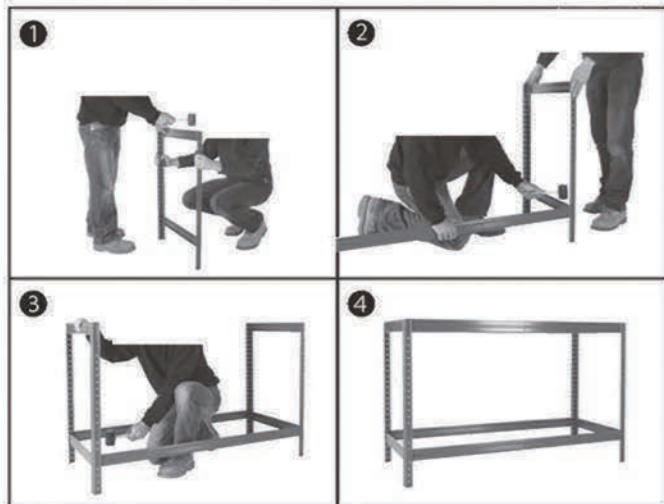
RUBBER Mallet

Assembly Instructions

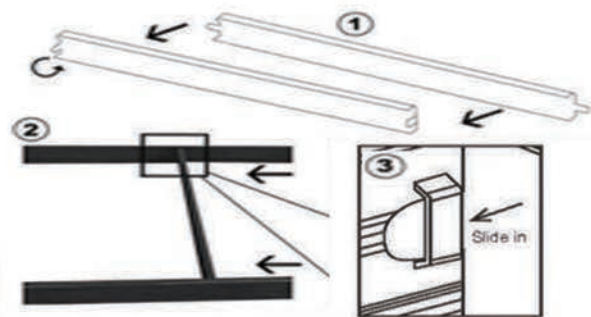
1. Slot first short beam into post. Tap into place with rubber mallet



2. Assemble end frames with short beams & join with long front & back beams



3. Slot into long beams.



4. Insert MDF board decks onto steel frame



5. Push plastic protective feet onto each post

