

# ASSEMBLY INSTRUCTIONS



**HELP LINE**  
**01977 555007**



- Information**  
if in doubt contact the supplier
- Please read these instructions thoroughly before commencing assembly.
- Inspect all packages for damage and check that all components have been supplied
- Assembly should be undertaken by at least two people
- Caution**  
Take care during assembly & day to day use may have sharp edges
- Wear appropriate clothing - protective gloves and footwear are recommended
- Dispose of packaging materials responsibly
- Make sure the floor is level
- Allow adequate working space and be aware of others working around you
- Take care when handling heavy items particularly when lifting or stretching
- Warning**  
Rules for safe use of shelving
- Not suitable for use in damp or wet environments.
- kg** ENSURE THAT THE MAXIMUM LOAD CARRYING CAPACITIES ARE NOT EXCEEDED
- kg** Shelves must be loaded evenly, and load heavier items on the bottom shelves
- Never climb or stand on the shelves.

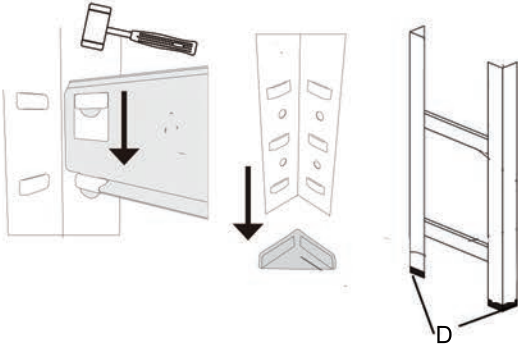
## TOOLS REQUIRED



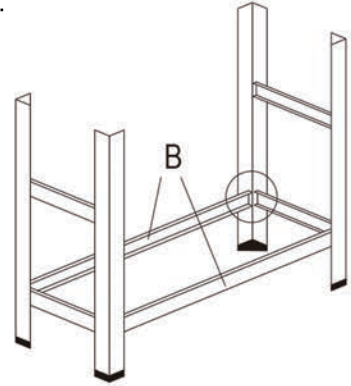
**RUBBER Mallet**

# Industrial Shelving Bay Assembly

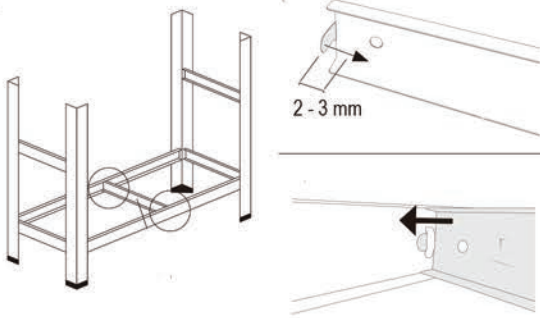
- 1.** Slot first beam into upright. Tap into place with a rubber mallet at the desired level. Push plastic protective feet onto the bottom of the uprights



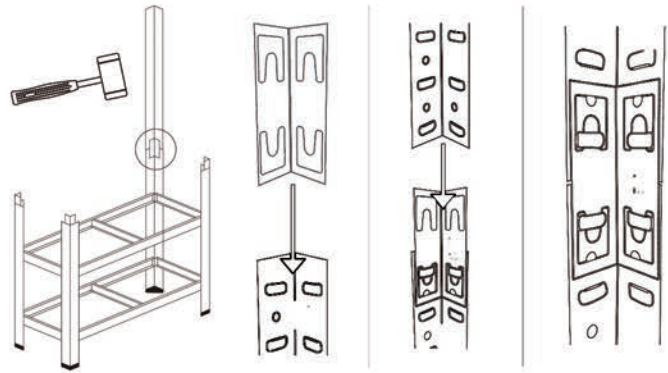
- 2.** Assemble end frames with short side beams and add long front and back beams to join the frames together.



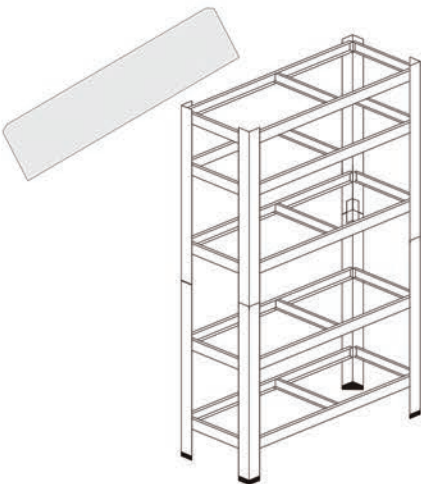
- 3.** Slot the centre support beam into front and back beams.



- 4.** Slot upright connector into top of lower upright. Push top into place or tap down with mallet if necessary.



- 5.** Repeat steps 2-3 to add the remaining levels. Insert MDF boards at an angle, full corners first.



- 6.** Push remaining plastic protective caps on the top of the uprights.

