



HELP LINE
01977 555007

<p>A</p> <p>UPRIGHTS X 4</p>	<p>D</p> <p>PLASTIC FEET X 4</p>
<p>B</p> <p>LONG BEAMS X 4</p>	<p>E</p> <p>2x 15MM Chipboard SHELVES</p>
<p>C</p> <p>SIDE BEAMS X 4</p>	<p>F</p> <p>CENTRAL SUPPORT X 4</p>

- 

Information
if in doubt contact the supplier
- 

Please read these instructions thoroughly before commencing assembly.
- 

Inspect all packages for damage and check that all components have been supplied
- 

Assembly should be undertaken by at least two people
- 

Caution
During Assembly
- 

Wear appropriate clothing - protective gloves and footwear are recommended
- 

Dispose of packaging materials responsibly
- 

Make sure the floor is level
- 

Allow adequate working space and be aware of others working around you
- 

Take care when handling heavy items particularly when lifting or stretching
- 

Warning
Rules for safe use of shelving
- 

Not suitable for use in damp or wet environments.
- 

ENSURE THAT THE MAXIMUM LOAD CARRYING CAPACITIES ARE NOT EXCEEDED
- 

Shelves must be loaded evenly, and load heavier items on the bottom shelves
- 

Never climb or stand on the shelves.

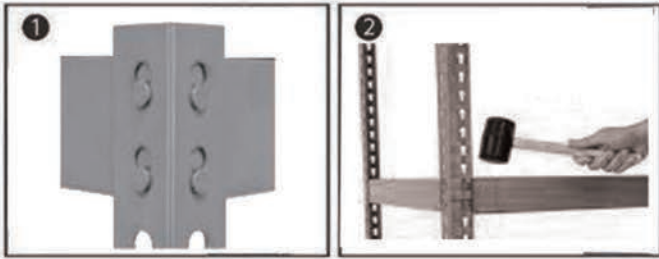
TOOLS REQUIRED



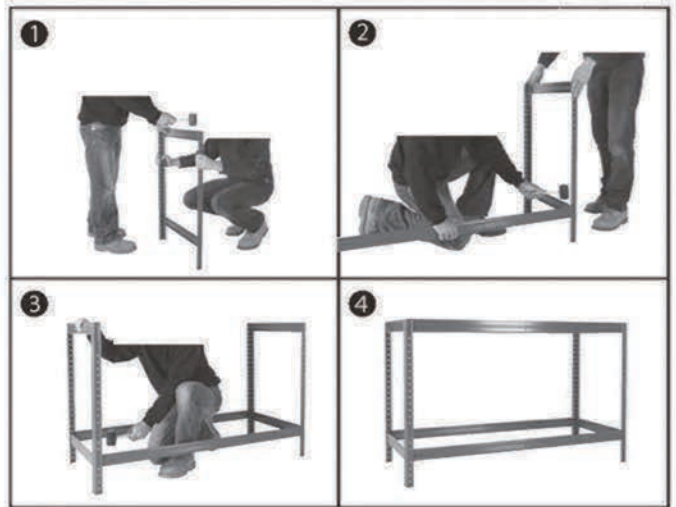
RUBBER Mallet

Assembly Instructions

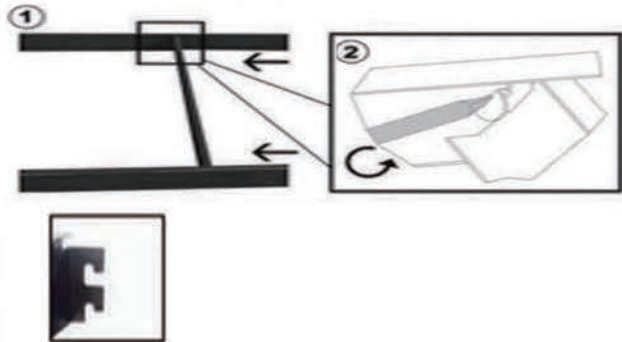
1. Slot first short beam into post. Tap into place with rubber mallet



2. Assemble end frames with short beams & join with long front & back beams



3. Slot into long beams.



4. Insert chipboard decks onto steel frame



5. Push plastic protective feet onto each post

